

AS189 Portrait - H2100 HELIOS Free Field

AS189 is the best solution for free field application with pile foundation. It can support any kind of photovoltaic panel alignment (**portrait, landscape**), with any panel dimensions and can be designed for the optimum inclination angle.

Two hot-dip galvanized steel piles, with coating for corrosion resistance conforming to ISO-1461, are combined with aluminum main structure (Alloy 6005A) offering the best possible spans between triangles.

Each project is studied statically according to Eurocodes, based on the meteorological data and soil conditions of the location, in order to provide the necessary security to the installer.

AS189 is accompanied by a 20 years warranty, according to warranty conditions. The structure is delivered on the field in pre-assembled triangles offering flexibility, security and speed to installers in every large-scale free field photovoltaic installation.



Materials

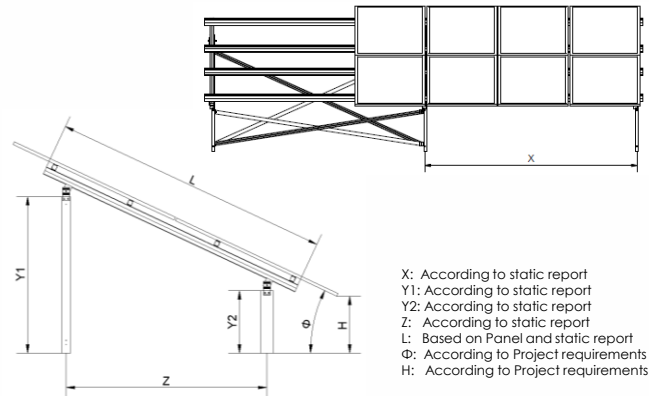
- Aluminum Alloy 6005T6
- Hot dip Galvanized C-type piles
- Polyamide part to prevent direct contact between steel and aluminum parts
- Inox A2 Screws

General characteristics

- Series: H2100
- Type: AS189
- Application: Free field
- Alignment: Portrait / Landscape
- Inclination: According to project design
- Foundation: Pile ramming or pile combined with concrete
- Special characteristics: Pre-assembled

Certifications

- Static Analysis According Eurocodes 1,3,9
- ISO 9001 / ISO 14001 / ISO 50001
- CE
- Technical Manual
- Alumil 20 Year Guarantee



PRODUCT ACCESSORIES

TRIANGLES (PRE-ASSEMBLED)

- TRIANGLE AS189.2P with H2168 for 60 cell solar panel
- TRIANGLE AS189.2P with H2168 for 72 cell solar panel
- TRIANGLE AS189.2P with H2169 for 60 cell solar panel
- TRIANGLE AS189.2P with H2169 for 72 cell solar panel

HOT-DIP GALVANIZED PILES

- BRACKET BETWEEN PILES (suggested by the structural design)
- BACKPILE C (based on the structural design)
- FRONTPILE C (based on the structural design)

PURLINS

- ALUMINUM PROFILE H2060
- ALUMINUM PROFILE H2070
- ALUMINUM PROFILE H2080
- ALUMINUM PROFILE H2090

ALUMINUM ACCESSORIES

- COMPRESSION PLATE
- CORE FOR PROFILES
- MID CLAMP L:55mm
- END CLAMP L:55mm (Height depends on panel thickness)
- CAP OF PANEL CLAMP L:55mm

VARIOUS ACCESSORIES

- INOX SCREWS
- INOX NUTS & WASHERS
- PLASTIC END CUPS FOR PROFILES - YELLOW
- WINDSHIELD WITH CONNECTORS

*In large scale projects purlins are produced in special lengths

20 YEARS GUARANTEE