



KACO blueplanet 02xi series grid-tied inverters

1502xi
2502xi
3502xi
5002xi

- Highest efficiency in their class - over 95.5%
- Programmable LCD display with night switch
- Plug and play web monitoring option
- Lockable NEC compliant AC/DC disconnect pre-installed
- Field selectable grid voltage (240 / 208 V_{AC})
- Field selectable positive or negative grounding
- Convection cooled aluminum housing - high reliability
- NEMA 3R enclosure - for indoor or outdoor installation
- 1/2" or 3/4" knockouts on sides, bottom & rear of unit
- **easy**Install light weight installation bracket
- **easy**Link data interface includes RS485 connection
- **easy**Swap 10 year warranty with service reimbursement

*tested to UL 1741, IEEE 1547, CSA 22.2



K A C O

new energy.

The KACO 02xi blueplanet series - the latest generation of PV inverters.

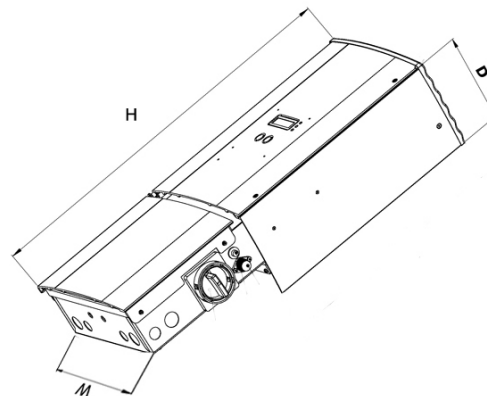
- Refined power electronics increase operational efficiency, increase CEC efficiency to 95.5% on all units and improve reliability.
- All inverters include a factory assembled connection box which includes a safe and NEC compliant AC/DC disconnect switch.
- The inverters can be easily and safely removed from the connection box to allow field service.
- The connection box allows conduit to connect from both sides, the bottom or the rear for increased installation flexibility. Using the rear knockouts will hide all conduits for a clean install.
- Field selectable grid voltages 240 / 208 VAC (220 VAC for Mexico) with or without neutral sensing.
- Field selectable positive or negative grounding simplify installs and create more opportunities to use the KACO blueplanet inverters.
- Convenient PV system monitoring with integrated plug and play ethernet web monitoring option reduces lifetime system costs by ensuring optimal system performance.
- Easy to use push button interface to configure the inverter and access stored PV data on the blueplanet LCD screen. Night illumination switch backlights display for access to production data when the inverter is in standby mode.
- Light weight design makes the inverters less expensive to ship and easier to handle than other comparably sized inverters.

Download the KACO calc string sizing tool from www.kaco-newenergy.com.

Distributed by: _____

Model number	blueplanet 1502xi	blueplanet 2502xi	blueplanet 3502xi	blueplanet 5002xi
Input data (DC)				
DC operating range (MPP)	125 - 400 V _{DC}	200 - 450 V _{DC}	200 - 510 V _{DC}	200 - 510 V _{DC}
Max. DC input voltage	550 V _{DC}	550 V _{DC}	550/600* V _{DC}	550/600* V _{DC}
Nominal DC input current	14.3 A _{DC}	13.5 A _{DC}	18.5 A _{DC}	26.5 A _{DC}
Max. DC input Isc current	21.45 A _{DC}	21.45 A _{DC}	28 A _{DC}	40 A _{DC}
Output data (AC)				
Max. continuous output power (CEC)	1500 W	2500 W	3500 W	5000 W
Max. over-current protection	15 A	20 A	25 A	30 A
Max. continuous current	240 V	8 A _{AC}	12 A _{AC}	16 A _{AC}
	208 V	8 A _{AC}	12.5 A _{AC}	17 A _{AC}
AC operating range	240 V	211 - 264 V		
	208 V	184 - 226 V		
	220 V	198 - 242 V (for Mexico)		
Frequency	60 Hz (59.3 – 60.5 Hz)			
CEC rated efficiency	240 V	95.5%	95.5%	95.5%
	208 V	95%	95%	95%
Additional data				
AC/DC disconnect ratings	AC: 300 V - 36 A / DC: 600 V - 40 A			
Cooling	True convection - ultimate reliability (5002xi - fan assisted)			
DC reverse polarity protection	YES			
Ground fault protection	Integrated ground fault detector/interrupter (GFDI)			
Grounding	Field selectable positive or negative ground option			
Visual displays	Backlit LCD w/ convenient night switch & push button controls			
Included accessory interfaces	easyLink RS485 & S0 port			
Ambient temp @ max AC power	-4°F - +104°F	(-20°C - + 40°C)	-13°F - +104°F	(-25°C - + 40°C)
Thermal protection	Yes			
Noise emissions	< 35 dB (silent operation)			
Night power consumption	0.3 W			
Warranty	Standard easySwap 10 years			
Certifications				
Safety compliance	UL 1741, IEEE 1547, NEC, CSA 22.2 No.107.1-01			
Communications compliance	FCC Part 15 Class B			

* - Unit will only feed power if the PV voltage is less than 550Vdc.



Mechanical Specifications

Model	Height (H)	Width (W)	Depth (D)	Weight
1502xi	30 in. (761 mm)	14 in. (354 mm)	8 1/4 in. (208 mm)	42 lbs (19 kg)
2502xi	32 in. (813 mm)	14 in. (354 mm)	8 1/4 in. (208 mm)	52 lbs (24 kg)
3502xi	35 7/8 in. (914 mm)	14 in. (354 mm)	9 1/2 in. (241 mm)	69 lbs (31 kg)
5002xi	35 7/8 in. (914 mm)	14 in. (354 mm)	9 1/2 in. (241 mm)	70 lbs (32 kg)
Enclosure	NEMA 3R			



new energy.



Printed on 100% post consumer material

T: +1 (866) 522 6765 • F: +1 (415) 931 1688
 kacoinfo@kaco-newenergy.com • www.kaco-newenergy.com

Specifications are subject to change without notice. KACO blueplanet 02xi series 08/06/10