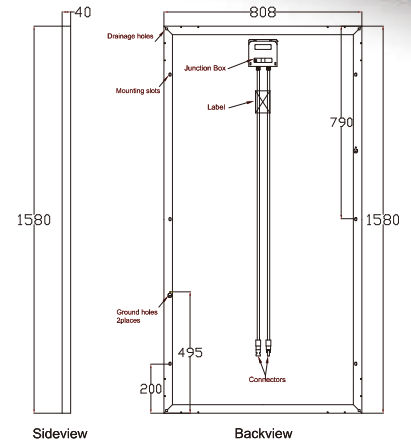
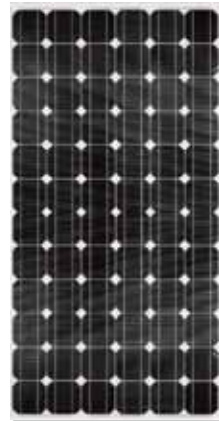


SK125*125-M-72

Electrical and Mechanical Characteristics

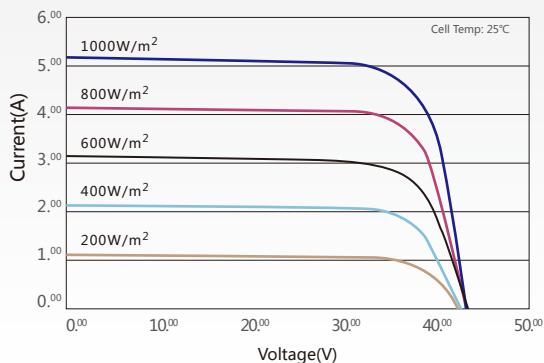


Model	SK125*125-M-72-170~200						
Nominal Maximum Output	200W	195W	190W	185W	180W	175W	170W
Nominal Open Circuit Voltage	45.2V	45.2V	45.1V	45.0V	44.8V	44.5V	44.2V
Nominal Short Circuit Current	5.76A	5.64A	5.54A	5.41A	5.36A	5.28A	5.21A
Nominal Maximum Output Voltage	37.4V	37.3V	37.1V	36.8V	36.5V	36.1V	35.7V
Nominal Maximum Output Current	5.35A	5.23A	5.12A	5.03A	4.93A	4.85A	4.76A
Nominal Mass	15.5kg						
Dimensions	1580 × 808 × 40 (35,46mm)						
Cells	72pcs monocrystalline						
Cells Dimensions	125 × 125 mm						
Maximum System Voltage	1000V						
Temperature and Coefficients				Limits			
NOCT	50±2°C			Tolerance Wattage	+3%		
Temperature and Coefficients of Isc	+0.03769%/K			Temperature Range	-40°C - +85°C		
Temperature and Coefficients of Voc	-0.34997%/K			Surface Maximum Load Capacity	5400Pa		
Temperature and Coefficients of Pm	-0.47409%/K			Max Reverse Current Load	15A		

- 25 year Quality Guarantee
- 5 years with 100% product guarantee
- 12 years 90% power output
- 25 years 80% power output

IV-CURVES of PV Module

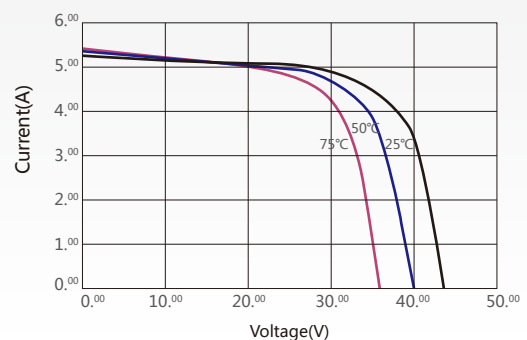
SK125*125-M-72-175



IV-CURVES of PV Module

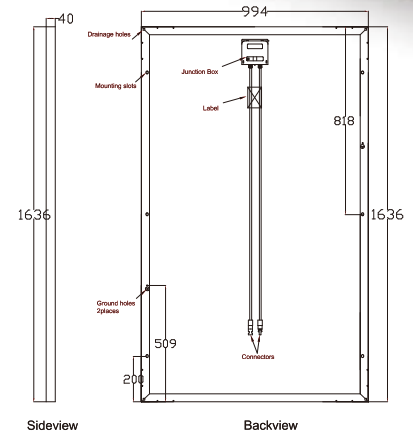
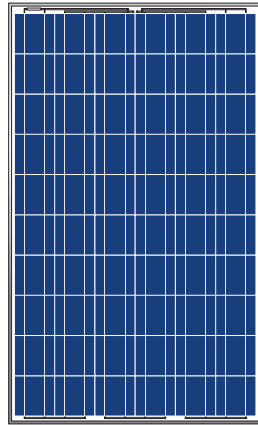
SK125*125-M-72-175

At various cell temperatures
IRRADIANCE: am 1.5, 1kw/m²



SK156*156-P-60

Electrical and Mechanical Characteristics

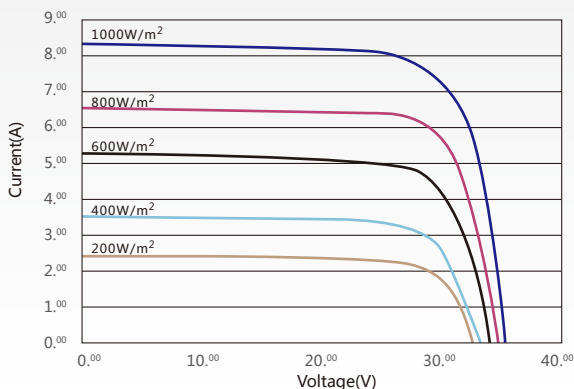


Model	SK156*156-P-60-220~245					
Nominal Maximum Output	245W	240W	235W	230W	225W	220W
Nominal Open Circuit Voltage	37.7V	37.5V	37.3V	37.1V	37.0V	36.8V
Nominal Short Circuit Current	8.47A	8.40A	8.31A	8.21A	8.15A	8.08A
Nominal Maximum Output Voltage	30.7V	30.3V	30.1V	29.8V	29.5V	29.2V
Nominal Maximum Output Current	7.98A	7.91A	7.81A	7.71A	7.63A	7.53A
Nominal Mass	20kg					
Dimensions	1636 × 994 × 40mm					
Cells	60pcs polycrystalline					
Cells Dimensions	156 × 156 mm					
Maximum System Voltage	1000V					
Temperature and Coefficients			Limits			
NOCT	48±2°C		Tolerance Wattage	+3%		
Temperature and Coefficients of Isc	+0.104%/K		Temperature Range	-40°C - +85°C		
Temperature and Coefficients of Voc	-0.343%/K		Surface Maximum Load Capacity	5400Pa		
Temperature and Coefficients of Pm	-0.462%/K		Max Reverse Current Load	15A		

- 25 year Quality Guarantee
- 5 years with 100% product guarantee
- 12 years 90% power output
- 25 years 80% power output

IV-CURVES of PV Module

SK156*156-P-60-220



IV-CURVES of PV Module

SK156*156-P-60-220

At various cell temperatures
IRRADIANCE: am 1.5, 1kw/m²

